



UNIVERSAL CONDUIT SYSTEM

made by
**JIM
LAWRENCE**



CONTACT US

Get in touch via email:

sales@jim-lawrence.co.uk or ring us on
01473 826969 Monday to Friday 9.30-5pm to
speak directly to our customer service team.
on **01473 826685** for additional parts.



HELPFUL GUIDES

Visit our Knowledge base for FAQs, detailed
information on our products, helpful guides
for installing them and styling tips to inspire
your home.

made by
**JIM
LAWRENCE**

@jimlawrencemade



www.jim-lawrence.co.uk



MADE IN ENGLAND

It is our belief that by selling directly to our customers, we can guarantee that every product we sell meets the exacting quality control standards we have set and for which we are renowned.

We have come a long way since our farm days and you may no longer have to bump down a track to find us. But our ethos remains the same: to provide individually handmade products and the highest possible levels of customer service.

NEW



CONDUIT CEILING ROSE

Code: **8011AB**

This clever brass Conduit Ceiling Rose is the perfect solution for transforming your exposed electrical wiring into a stunning feature. With a BC lamp holder you can incorporate a large bayonet (BC, B15) light bulb or pendant lampshade into your conduit lighting scheme.

*Bulb Shown
BC (B22) LED Soft Coil Vintage GLS Bulb
Code: BULBBCLEDCGOVT*

CONDUIT KIT

The perfect solution for transforming unsightly external wiring into a stunning feature, our smart, antiqued brass, 20mm conduit enables you to add interest to indoor and outdoor lighting schemes by connecting your chosen wall and pendant lights, plug sockets and switches along a wall or ceiling while hiding ugly wires.

Effortlessly versatile, the conduit is a universal size to ensure a perfect fit with any of our conduit components, compatible Jim Lawrence lights and conduit parts from other manufacturers. The system is ideal for introducing heritage, industrial style to a property or where solid walls prevent you from hiding electrics in a cavity.

1M CONDUIT KIT

Code: **800901AB**



1m Brass tube

2x Conduit Connectors

2x O Rings

2M CONDUIT KIT

Code: **800802AB**



2m Brass tube

2x Conduit Connectors

2x O Rings

2x Conduit brackets & fixing Screws



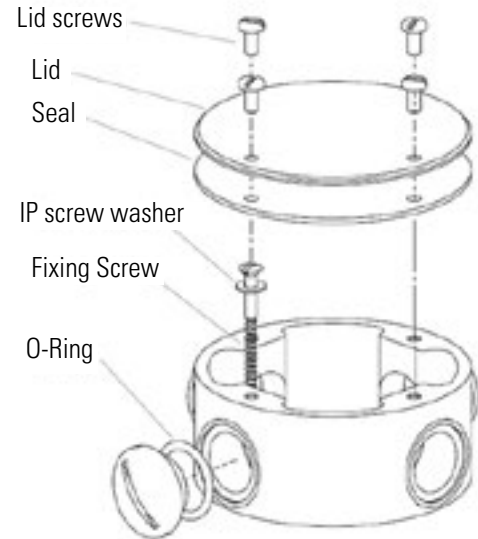
“NOTHING SIMILAR IS QUITE THE SAME”

*Wall lights shown
Dulwich in Antiqued Brass
Code: 3991AB*

CONDUIT 4 WAY JUNCTION BOX

Code: **8001AB**

This clever Conduit Junction Box will revolutionise your industrial lighting scheme by enabling you to incorporate a huge array of Jim Lawrence wall and pendant lights alongside your general electrical trunking requirements.



BLANKING CAP

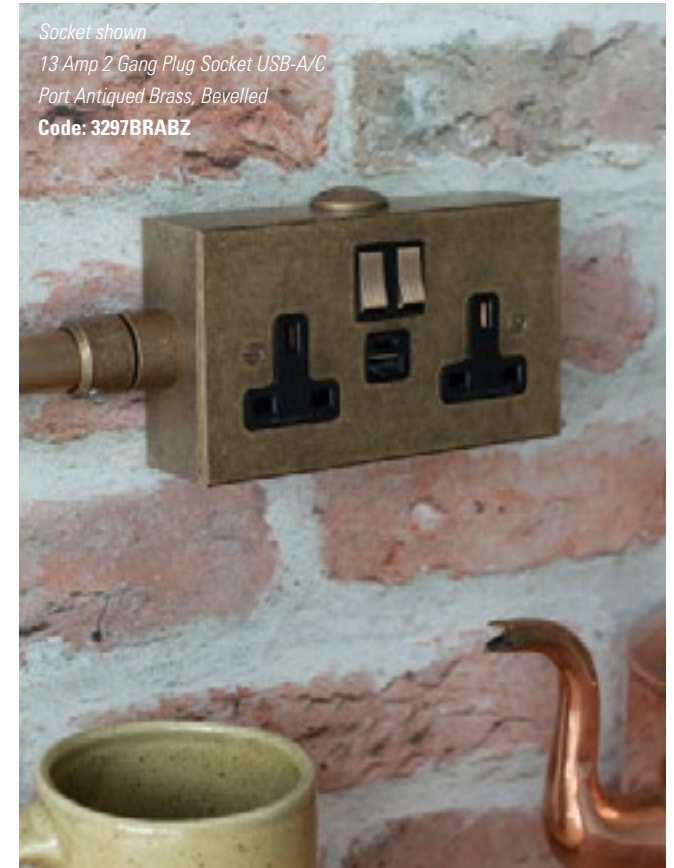
Code: **8001TURN01AB**



Wall light shown
Dulwich in Antiqued Brass
Code: **3991AB**



Switch shown
1 Gang Brass Grid Switch
in Antiqued Brass with
Bevelled Plate
Code: **3258BABZ**



Socket shown
13 Amp 2 Gang Plug Socket USB-A/C
Port Antiqued Brass, Bevelled
Code: **3297BRABZ**

SURFACE MOUNTING BOX

Create your perfect industrial lighting scheme by using any of our 1 and 2 gang switch and socket plates with this handsome solid brass surface mounting box that has been adapted to take our 20mm conduit.

Our Surface Mounting Boxes for Conduit is a great solution for hiding unsightly wiring where you cannot make a wall cavity, and transform any external electric cables into a stunning, modern feature in your home.



DOUBLE SURFACE MOUNTING BOX

Code: **8010AB**



SINGLE SURFACE MOUNTING BOX

Code: **8012AB**



CONDUIT TUBE

A wonderful solution for transforming unsightly external wiring into a stunning feature, this smart 20mm conduit enables you to connect your chosen lights, plug sockets and switches along a wall or ceiling.



1M TUBE
Code: **800801AB**

2M TUBE
Code: **800802AB**

PRECISION ENGINEERING



CONDUIT
COUPLER
Code: **8005AB**



CONDUIT STRAIGHT
JOINER Code: **8007AB**



CONDUIT ELBOW
Code: **8003AB**



CONDUIT
45 DEGREE ELBOW
Code: **8014AB**



COUPLER ADAPTOR
Code: **8006AB**



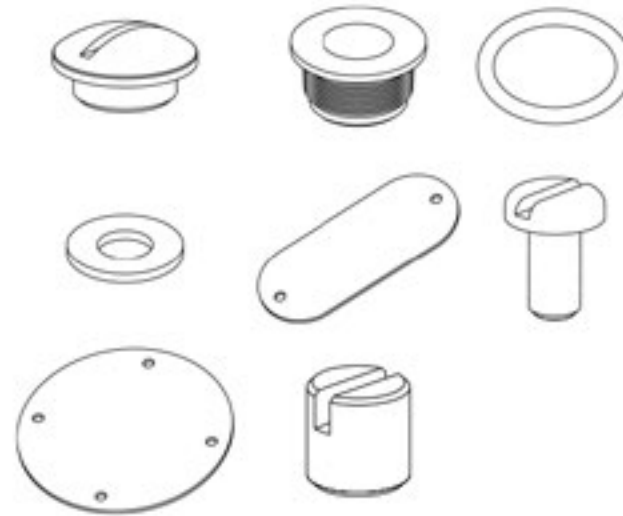
T-JUNCTION BOX
Code: **8002AB**



CABLE GLAND
Code: **8013AB**



CONDUIT BRACKET
Code: **8004AB**



REPLACEMENT PARTS

When constructing conduit, there are often times where you will need extra caps or components. We stock items ready to be shipped to you. Simply contact our Customer Services Team on **01473 826685**.

You can also email us
sales@jim-lawrence.co.uk